

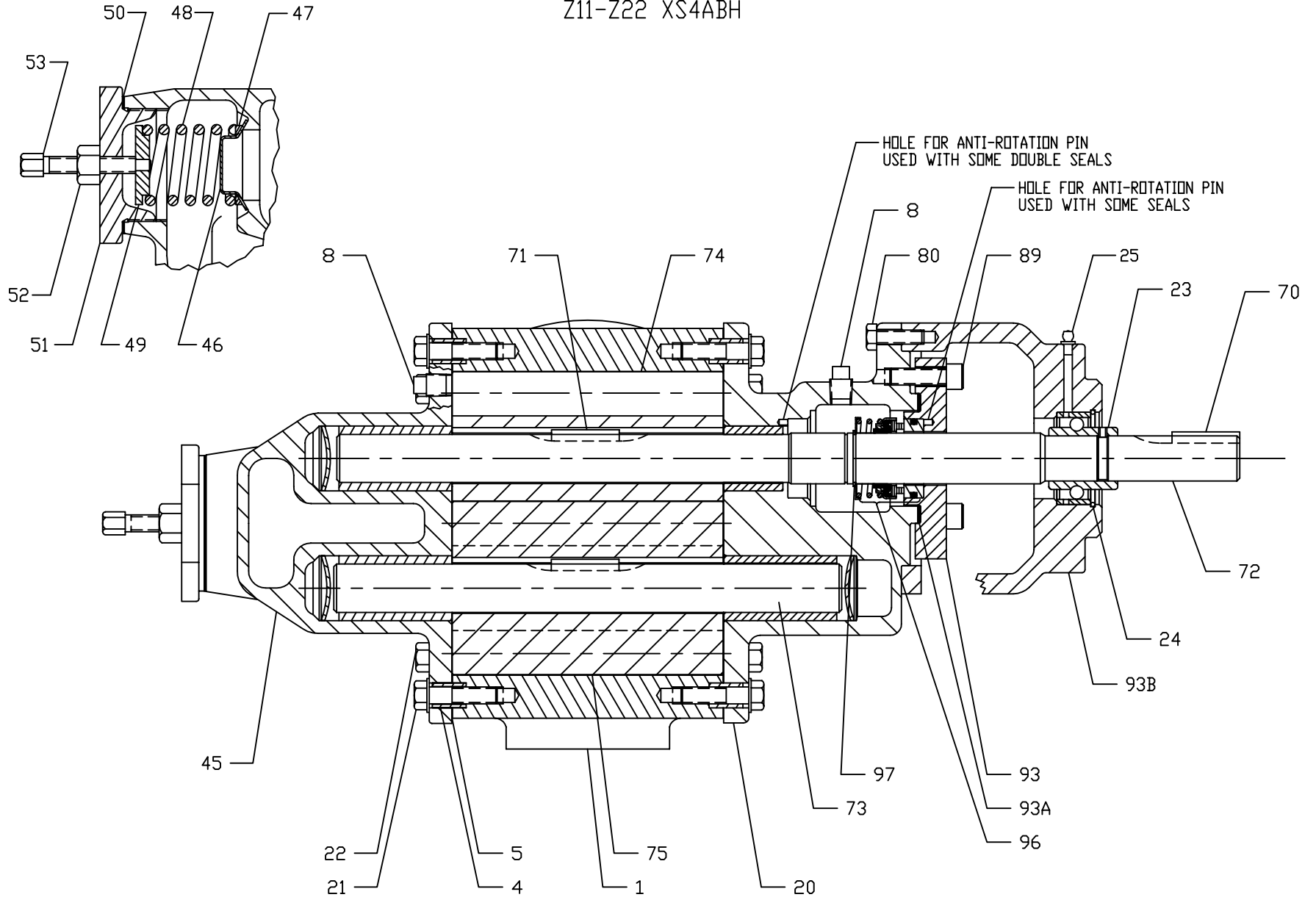
Z11-Z22 PS4ABH & RS4ABH

KEY NO.	DESCRIPTION	Z11		Z17		Z22	
		QTY	PART NO.	QTY	PART NO.	QTY	PART NO.
1	Case	1	P1-862	1	P1-863	1	P1-860
4	Dowel Pin	4	D48-34	4	D48-34	4	D48-34
5	Case Gasket	2	D11-338	2	D11-338	2	D11-338
8	Pipe Plug	7	G56-12	7	G56-12	7	G56-12
20	Backplate Assy, Brz Brgs	1	N2-1278	1	N2-1278	1	N2-1278
21	Washer Hd Cap Screw	4	G49-24	4	G49-24	4	G49-24
22	Hex Hd Cap Screw	16	G49-037100	16	G49-037100	16	G49-037100
23	Ball Brg	1	G40-41	1	G40-41	1	G40-41
24	Ret Ring	1	G41-10	1	G41-10	1	G41-10
25	Lube Ftg	1	G63-1	1	G63-1	1	G63-1
45	Faceplate Assy, Plain, Brz Brgs	1	N3-177	1	N3-177	1	N3-177
	Faceplate Assy, RV, Brz Brgs	1	N3-200	1	N3-200	1	N3-200
46	Poppet	1	D16-16	1	D16-16	1	D16-16
47	Adapter	1	G8-281	1	G8-281	1	G8-281
48	Spring, Std Press	1	G10-355	1	G10-355	1	G10-355
	Spring, High Press	1	G10-375	1	G10-375	1	G10-375
49	Spring Guide	1	D8-348	1	D8-348	1	D8-348
50	Gasket, RV Cap	1	D828-41	1	D828-41	1	D828-41
51	RV Cap	1	P17-110	1	P17-110	1	P17-110
52	Nut, Lock & Seal	1	G43-18	1	G43-18	1	G43-18
53	Adjusting Screw	1	G62-44	1	G62-44	1	G62-44
70	Key, Drive	1	D30-9	1	D30-9	1	D30-9
71	Key, Gear	2	D30-9	2	D30-9	2	D30-9
72	Drive Shaft	1	D1-2339	1	D1-2341	1	D1-2337
73	Idler Shaft	1	D1-1098	1	D1-1100	1	D1-1077
74	Gear, LH	1	P6-276	1	P6-274	1	P6-278
75	Gear, RH	1	P6-275	1	P6-273	1	P6-277
80	Hex Hd Cap Screw	4	G49-031100	4	G49-031100	4	G49-031100
89	Soc Hd Cap Screw	4	G45-037125	4	G45-037125	4	G45-037125
93	Seal Retainer	1	D23-319	1	D23-319	1	D23-319
93A	Gasket, Seal Retainer	1	D11-583	1	D11-583	1	D11-583
93B	Bearing Cage	1	P4-468-18	1	P4-468-18	1	P4-468-18
96	Mech Seal, Complete	1	G4-313	1	G4-313	1	G4-313
97	Ret Ring	1	G41-77	1	G41-77	1	G41-77

Backplate Assy includes Brz Brgs: (1) G5-257 and (1) G5-258

Faceplate Assy includes Brz Brgs: (2) G5-257

Z11-Z22 XS4ABH



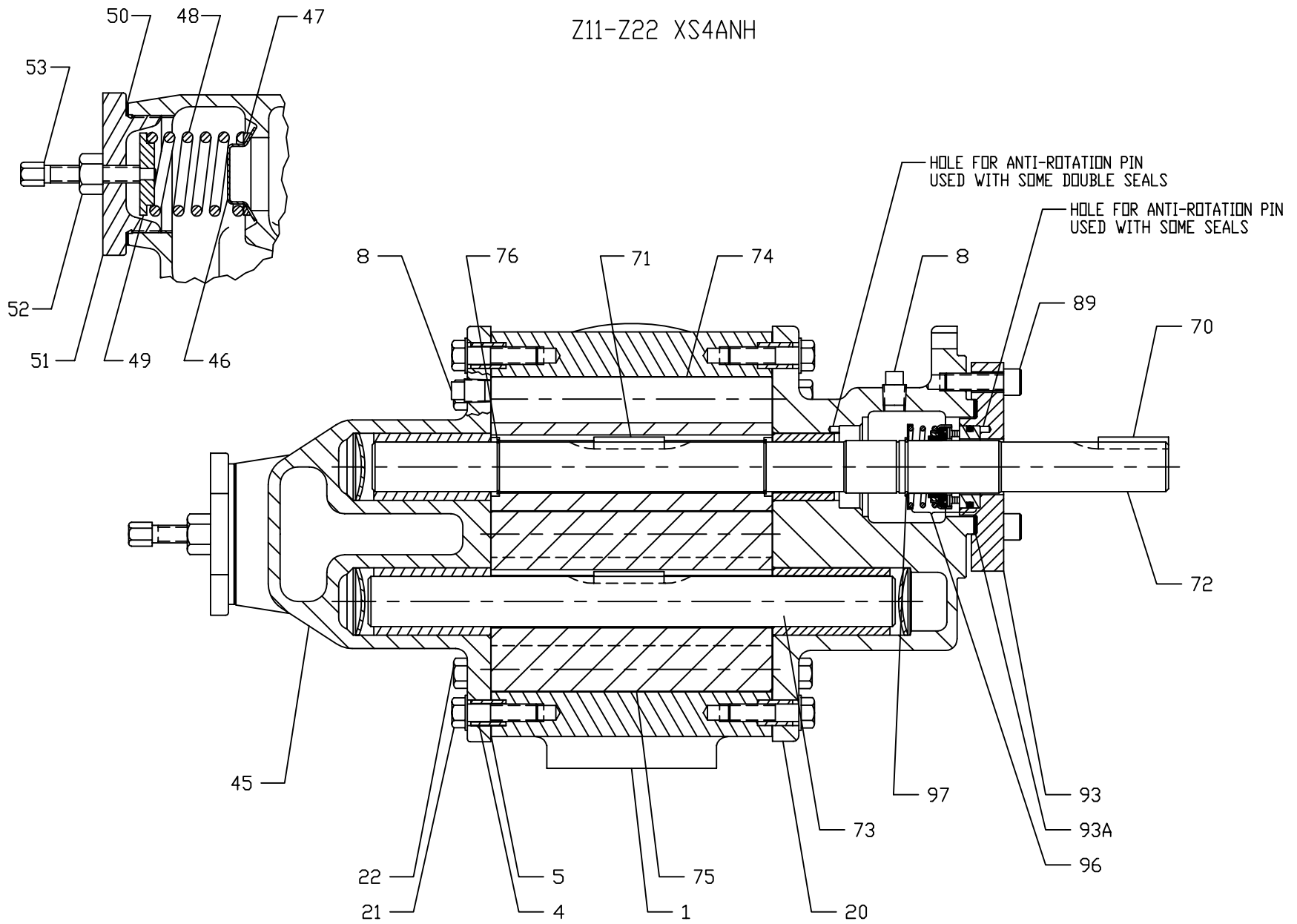
Z11-Z22 PS4ANH & RS4ANH

KEY NO.	DESCRIPTION	Z11		Z17		Z22	
		QTY	PART NO.	QTY	PART NO.	QTY	PART NO.
1	Case	1	P1-862	1	P1-863	1	P1-860
4	Dowel Pin	4	D48-34	4	D48-34	4	D48-34
5	Case Gasket	2	D11-338	2	D11-338	2	D11-338
8	Pipe Plug	7	G56-12	7	G56-12	7	G56-12
20	Backplate Assy, Brz Brgs	1	N2-1278	1	N2-1278	1	N2-1278
21	Washer Hd Cap Screw	4	G49-24	4	G49-24	4	G49-24
22	Hex Hd Cap Screw	16	G49-037100	16	G49-037100	16	G49-037100
45	Faceplate Assy, Plain, Brz Brgs	1	N3-177	1	N3-177	1	N3-177
	Faceplate Assy, RV, Brz Brgs	1	N3-200	1	N3-200	1	N3-200
46	Poppet	1	D16-16	1	D16-16	1	D16-16
47	Adapter	1	G8-281	1	G8-281	1	G8-281
48	Spring, Std Press	1	G10-355	1	G10-355	1	G10-355
	Spring, High Press	1	G10-375	1	G10-375	1	G10-375
49	Spring Guide	1	D8-348	1	D8-348	1	D8-348
50	Gasket, RV Cap	1	D828-41	1	D828-41	1	D828-41
51	RV Cap	1	P17-110	1	P17-110	1	P17-110
52	Nut, Lock & Seal	1	G43-18	1	G43-18	1	G43-18
53	Adjusting Screw	1	G62-44	1	G62-44	1	G62-44
70	Key, Drive	1	D30-9	1	D30-9	1	D30-9
71	Key, Gear	2	D30-9	2	D30-9	2	D30-9
72	Drive Shaft	1	D1-2367	1	D1-2368	1	D1-2369
73	Idler Shaft	1	D1-1098	1	D1-1100	1	D1-1077
74	Gear, LH	1	P6-418	1	P6-414	1	P6-430
75	Gear, RH	1	P6-275	1	P6-273	1	P6-277
76	Ret Ring	2	G41-108	2	G41-108	2	G41-108
89	Soc Hd Cap Screw	4	G45-037125	4	G45-037125	4	G45-037125
93	Seal Retainer	1	D23-319	1	D23-319	1	D23-319
93A	Gasket, Seal Retainer	1	D11-583	1	D11-583	1	D11-583
96	Mech Seal, Complete	1	G4-313	1	G4-313	1	G4-313
97	Ret Ring	1	G41-77	1	G41-77	1	G41-77

Backplate Assy includes Brz Brgs: (1) G5-257 and (1) G5-258

Faceplate Assy includes Brz Brgs: (2) G5-257

Z11-Z22 XS4ANH



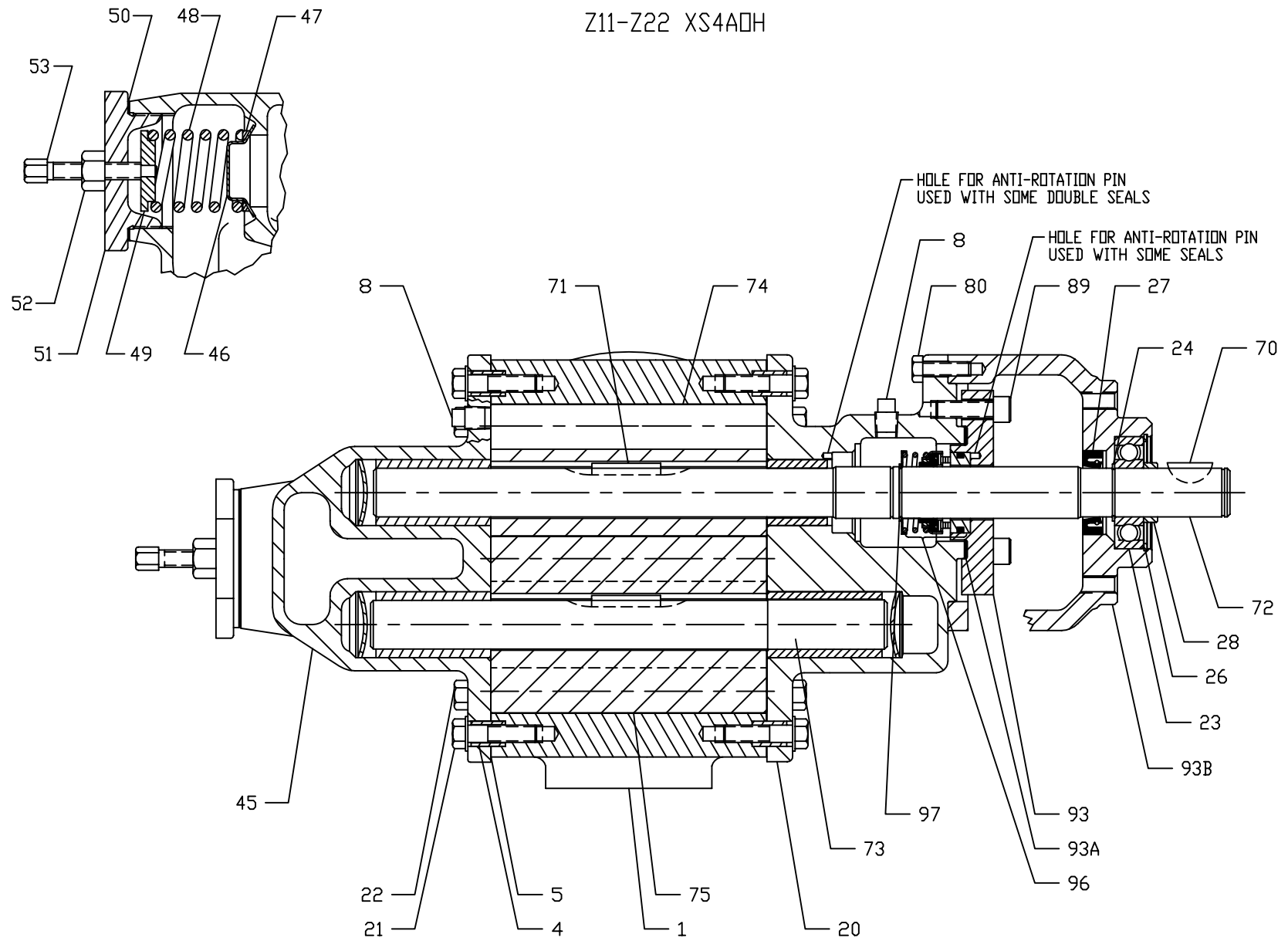
Z11-Z22 PS4AOH & RS4AOH

KEY NO.	DESCRIPTION	Z11		Z17		Z22	
		QTY	PART NO.	QTY	PART NO.	QTY	PART NO.
1	Case	1	P1-862	1	P1-863	1	P1-860
4	Dowel Pin	4	D48-34	4	D48-34	4	D48-34
5	Case Gasket	2	D11-338	2	D11-338	2	D11-338
8	Pipe Plug	7	G56-12	7	G56-12	7	G56-12
20	Backplate Assy, Brz Brgs	1	N2-1278	1	N2-1278	1	N2-1278
21	Washer Hd Cap Screw	4	G49-24	4	G49-24	4	G49-24
22	Hex Hd Cap Screw	16	G49-037100	16	G49-037100	16	G49-037100
23	Ball Brg	1	G40-147	1	G40-147	1	G40-147
24	Ret Ring	1	G41-76	1	G41-76	1	G41-76
25	Lube Ftg	1	G63-1	1	G63-1	1	G63-1
26	Ret Ring	1	G41-20	1	G41-20	1	G41-20
27	Lip Seal	1	D83-5	1	D83-5	1	D83-5
28	Spacer	1	D45-100	1	D45-100	1	D45-100
45	Faceplate Assy, Plain, Brz Brgs	1	N3-177	1	N3-177	1	N3-177
	Faceplate Assy, RV, Brz Brgs	1	N3-200	1	N3-200	1	N3-200
46	Poppet	1	D16-16	1	D16-16	1	D16-16
47	Adapter	1	G8-281	1	G8-281	1	G8-281
48	Spring, Std Press	1	G10-355	1	G10-355	1	G10-355
	Spring, High Press	1	G10-375	1	G10-375	1	G10-375
49	Spring Guide	1	D8-348	1	D8-348	1	D8-348
50	Gasket, RV Cap	1	D828-41	1	D828-41	1	D828-41
51	RV Cap	1	P17-110	1	P17-110	1	P17-110
52	Nut, Lock & Seal	1	G43-18	1	G43-18	1	G43-18
53	Adjusting Screw	1	G62-44	1	G62-44	1	G62-44
70	Key, Drive	1	D30-9	1	D30-9	1	D30-9
71	Key, Gear	2	D30-9	2	D30-9	2	D30-9
72	Drive Shaft	1	D1-2340	1	D1-2342	1	D1-2338
73	Idler Shaft	1	D1-1098	1	D1-1100	1	D1-1077
74	Gear, LH	1	P6-276	1	P6-274	1	P6-278
75	Gear, RH	1	P6-275	1	P6-273	1	P6-277
80	Hex Hd Cap Screw	4	G49-031100	4	G49-031100	4	G49-031100
89	Soc Hd Cap Screw	4	G45-037125	4	G45-037125	4	G45-037125
93	Seal Retainer	1	D23-319	1	D23-319	1	D23-319
93A	Gasket, Seal Retainer	1	D11-583	1	D11-583	1	D11-583
93B	Bearing Cage	1	P4-469-18	1	P4-469-18	1	P4-469-18
96	Mech Seal, Complete	1	G4-313	1	G4-313	1	G4-313
97	Ret Ring	1	G41-77	1	G41-77	1	G41-77

Backplate Assy includes Brz Brgs: (1) G5-257 and (1) G5-258

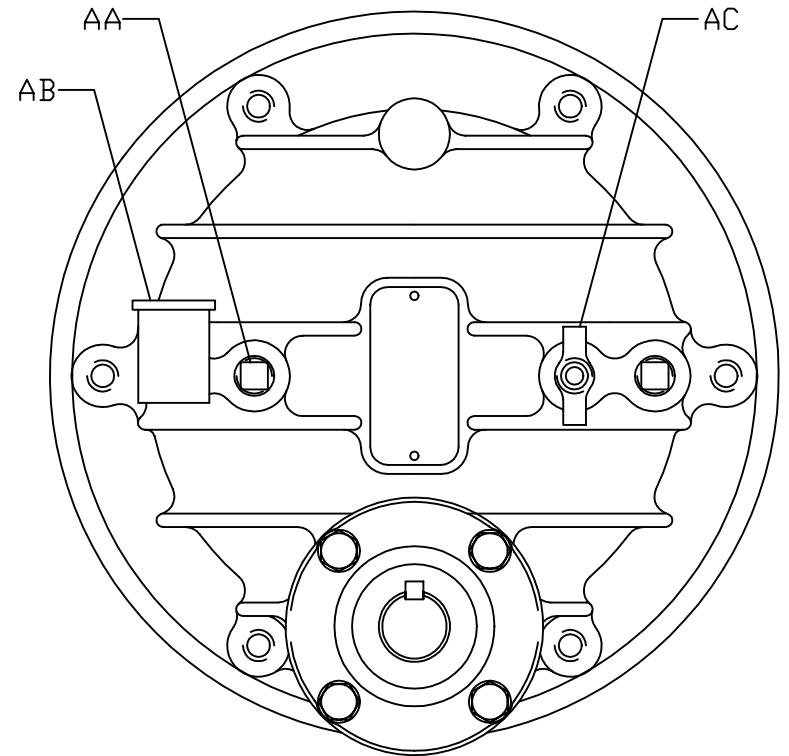
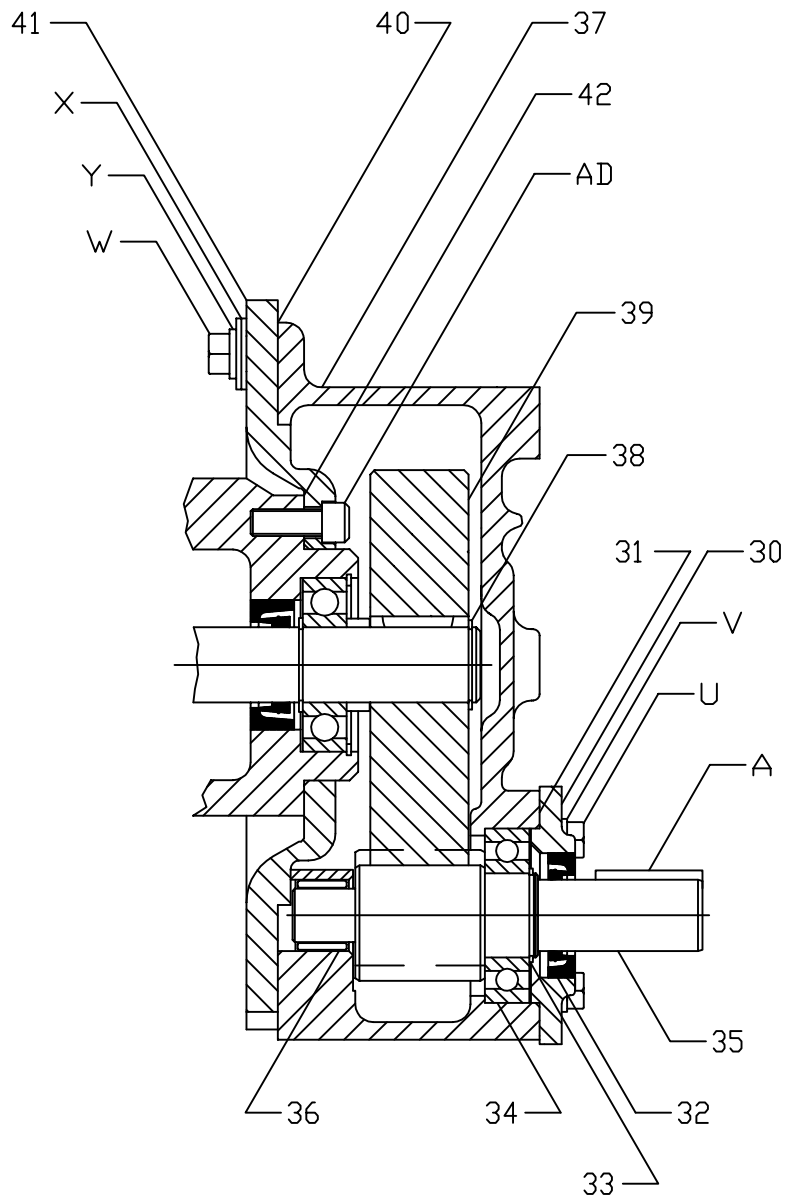
Faceplate Assy includes Brz Brgs: (2) G5-257

Z11-Z22 XS4A0H



N41-XXX-1

KEY NO.	DESCRIPTION	N41-320-1		N41-394-1		N41-460-1	
		QTY	PART NO.	QTY	PART NO.	QTY	PART NO.
30	Bearing Retainer	1	P4-384	1	P4-384	1	P4-384
31	Bearing Retainer Gasket	1	D11-277	1	D11-277	1	D11-277
32	Lip Seal	1	D83-22	1	D83-22	1	D83-22
33	Retaining Ring	1	G41-78	1	G41-78	1	G41-78
34	Ball Bearing	1	G40-10	1	G40-10	1	G40-10
35	Pinion Gear and Shaft	1	D37-120	1	D37-117	1	D37-115
36	Needle Bearing	1	G40-30	1	G40-30	1	G40-30
37	Gear Case	1	P49-2	1	P49-2	1	P49-2
38	Retaining Ring	1	G41-76	1	G41-76	1	G41-76
39	Drive Gear	1	D37-64	1	D37-67	1	D37-69
40	Gear Case Gasket	1	D11-278	1	D11-278	1	D11-278
41	Gear Box Cover	1	P22-13	1	P22-13	1	P22-13
42	Cover Gasket	1	D11-276	1	D11-276	1	D11-276
A	Drive Key	1	D30-9	1	D30-9	1	D30-9
AA	Pipe Plug	2	G56-12	2	G56-12	2	G56-12
AB	Oil Cup	1	G61-239	1	G61-239	1	G61-239
AC	Petcock	1	G61-71	1	G61-71	1	G61-71
AD	Socket Head Cap Screw	4	G45-037100	4	G45-037100	4	G45-037100
U	Hex Head Cap Screw	4	G49-031075	4	G49-031075	4	G49-031075
V	Lockwasher	4	G8-71	4	G8-71	4	G8-71
W	Hex Head Cap Screw	6	G49-037125	6	G49-037125	6	G49-037125
X	Flat Washer	12	G8-52	12	G8-52	12	G8-52
Y	Lockwasher	6	G8-72	6	G8-72	6	G8-72



N41-1